



SCT1-HP150 SERIES

Welding Fume Purifier

Mobile Mechanical | Single Arm

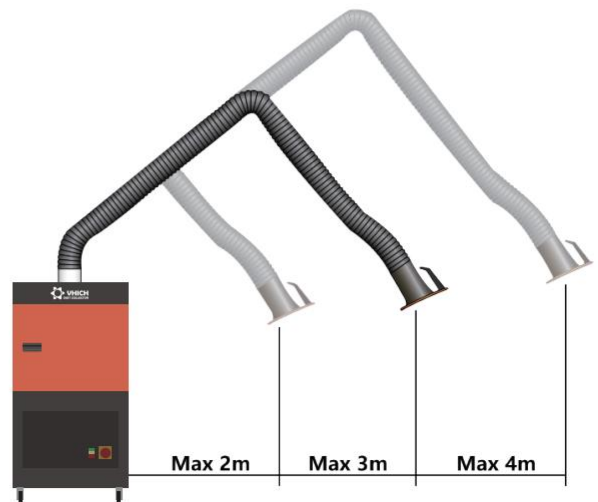


Innovative Design

Mobile single-arm mechanical welding smoke purifier has a suction arm connection position, can be configured with a 2-4m long flexible or rigid suction arm, for automation work, can also be designed and configured with other flexible smoke capture device.

Two oversized rubber casters with locking function underneath the purifier allow the unit to be moved easily over complex floors in the workshop.

The fine welding dust inhaled by the smoke trapping device enters the purifier, firstly filtered by the pre-filter cotton for large particles of dust, and the fine dust of group micro-particles can be directly circulated indoors after the selection of the main filter core. For such as grinding, brazing and other special processes of fume purification, can be equipped with different filter elements for targeted fume management. The operation panel of the purifier has corresponding daily indicators and instructions for use and maintenance to facilitate daily operation.





Versatility Flexibility in Design

360° Adjustable Auction Arm
It can be bent and fixed at will to locate the smoke exhaust, with flexible and rigid arm options; the length is 2/3/4 meters optional;

Mechanical spring suspension
Stable lifting force for long life

Multiple filtration
Inhalation of harmful substances and output of fresh air;

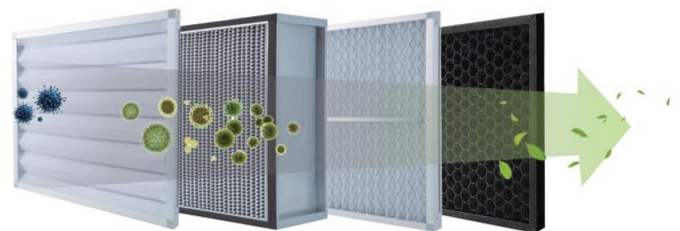
Wider capture area
Suction port damper, 180°rotation, balanced airflow





360° Universal Wheel
Universal positioning for easy movement

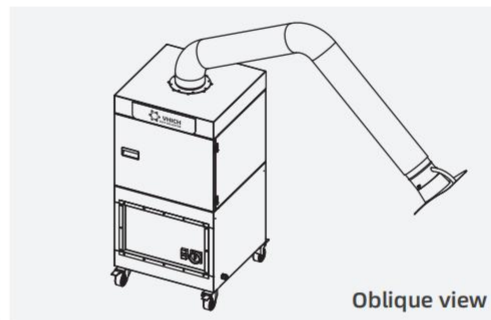
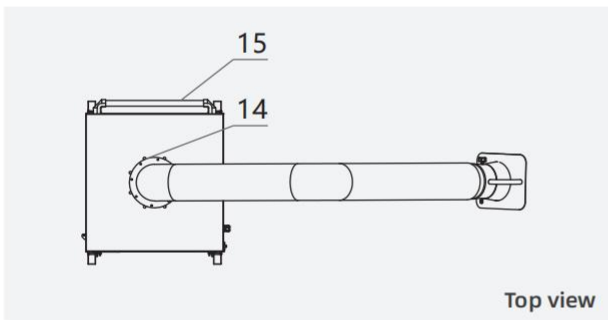
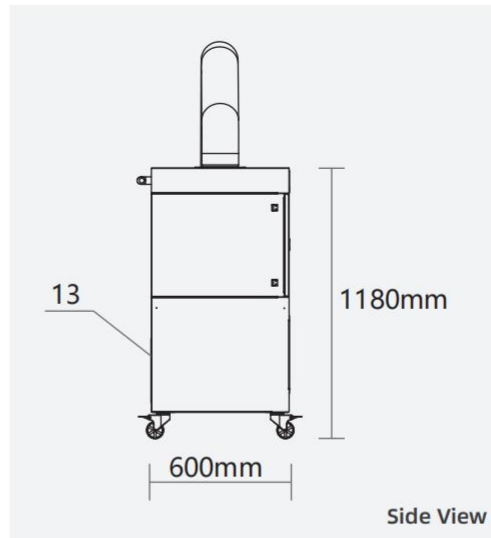
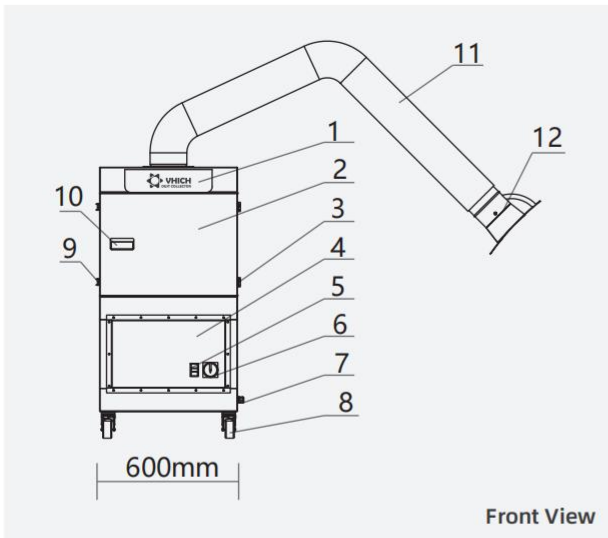
Directly connected centrifugal fans
Safer, quieter, more stable

Filtration System

Mechanical welding fume purifier adopts layered step-by-step filtration, with pre-filter membrane and main filter element as standard, and metal filter membrane, ultra-fine filter element, activated carbon filtration layer and other kinds of speed elements as optional. When the corresponding processing operation is changed, SCT1-HP series can simply adjust its filtration mode by replacing the filter material, which makes the operation simpler, the maintenance cost lower and the air in the factory cleaner. Filter media can be targeted according to the nature of the dust.



Primary Filter	Intermediate Filter	High-Efficiency Filter	Activated Carbon Filter
 <p>Filter out large particles of dust and suspended matter in the air</p>	 <p>Filter out fine particles in the air, reduce the concentration of pollutants</p>	 <p>Filter out suspended dust, tiny particles, etc., the filtration efficiency can reach 99.9%</p>	 <p>Effective filtration and purification of formaldehyde, stupid and other common toxic and harmful gases</p>
2-3 MONTHS	3-6 MONTHS	6-12 MONTHS	6-12 MONTHS



- 1、 Brand LOGO
- 2、 Filter chamber
- 3、 Hinge
- 4、 Fan chamber
- 5、 Start-stop switch
- 6、 Main power switch
- 7、 Power cord
- 8、 Universal casters
- 9、 Door hitch
- 10、 Door handles
- 11、 Universal suction arm
- 12、 Suction hood
- 13、 Air outlet
- 14、 Suction arm mounting flange
- 15、 Hand push handle

Selection Parameter Table

Model	/	<input type="checkbox"/> SCT1-HP150
Characteristics	/	Movable
Power	kw	1.5
Power supply voltage	V/Hz	380/50
Air volume	m ³ /h	1600-2000
Suction hood air volume	m ³ /h	1300
Suction hood wind speed	m/s	8
Suction arm configuration	meter	Arm/3
Fan Brand	/	VHICH
Control system	/	VHICH
Filtration method	Multi-stage filtration "Primary filtration + high efficiency filtration + activated carbon fiber".	
Filter specification	Primary filtration	600*600*20
	Advanced filtration	600*600*200
	Activated carbon filter	600*600*50
Filtration grade	/	GB12218-89-IV
Equipment noise	dB	65±3
Weight	kg	70±10
Overall dimension	mm	600*600*1200

Product pictures and external dimensions are for reference only and shall prevail in kind.



Application Areas

SCT1-HP welding smoke purifier can be widely used in a variety of welding welding, laser marking, electronic soldering, chemical experiments and other places to generate smoke and dust purification, with high purification efficiency, low noise, flexible use, small footprint, etc., and play a role in protecting the work environment and protecting the health of workers. Widely used in industry, steel, electric power, building materials, new energy, photovoltaic, chemical, food, electronics and other industries.



ELECTRIC WELDING



LASER LABELING



ELECTRONIC SOLDERING



CHEMISTRY LAB

Live Cases

Shanghai VHICH Environmental Protection Technology Co., Ltd. is equipped with high-quality engineering and technical service engineers, specializing in after-sales service. Convenient and timely to provide users with quality and satisfactory service is the commitment of Shanghai VHICH Environmental Protection Company.



Optional Accessories



Flexible Suction Arms



Rigid Suction Arm



Spiral Ducting



Suction Hose And Nozzle



Large Flared Hood



Small Flared Hood