



SCT3-LA220 SERIES

Mobile dust collector
Industrial cartridge dust collector

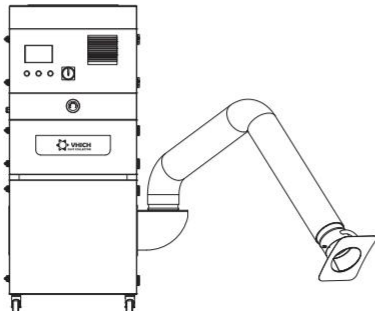


 Powerful Suction	 Multiple filtration	 360° flexible arm
 Easy operation	 Lower wind noise	 Saving energy and environmental protection

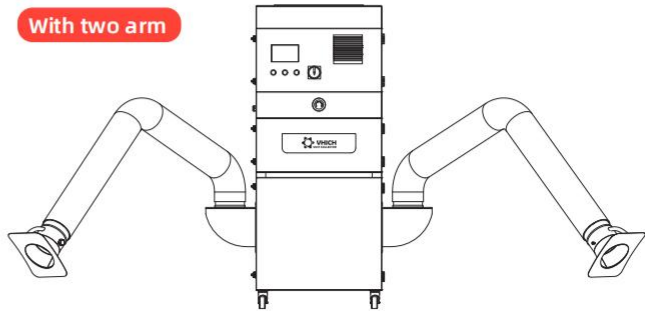
Innovative Design

SCT3-LA series is a high-performance dust collector developed and designed by our company using advanced electronic cartridge pulse blowing technology and in accordance with European industrial product standards. The product adopts advanced computer digital control technology, which can realize single or multi-way blowing, with safe and reliable performance, reasonable design and high dust removal efficiency. The filter element adopts imported new filter material, the quick-disassembly design makes the maintenance of the equipment become very simple, according to the requirements of different working conditions customized filter element, has a very prominent and efficient filtration performance, the cylinder pleated design has the advantages of small volume and large filtration area, the filtration performance and permeability is exceptionally prominent. SCT3-LA series Industrial cartridge dust collector are designed to be compact and mobile to meet the needs of fume and dust purification over a wide range of mobility, and can be equipped with 2-8m flexible or rigid suction arms.

With one arm



With two arm





Versatility Flexibility in Design

Integrated control system
Integrated PLC electrical control Controls all dust collector operating functions

Pulse cleaning chamber
Automatic cleaning of the equipment filter through the gas pulse valve, effectively reducing the cost of manual maintenance and making the equipment more stable

High-efficiency filter
The air outlet can be equipped with high-efficiency filter, fine particles of dust discharged through the high-efficiency filter secondary filtration, so as to achieve a high standard of emission. At the same time, it has a good noise reduction effect on the air outlet of the equipment.

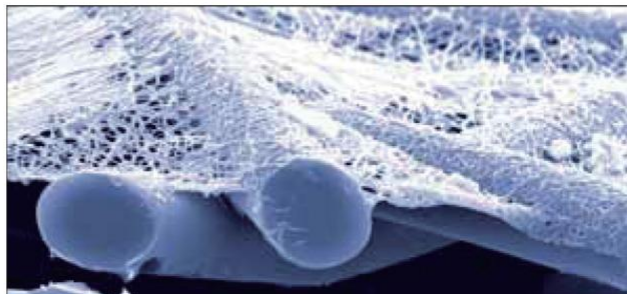
High-efficiency flame retardant polyester filter element
Different filter materials can be selected according to the pollutants to realize more effective capture and efficiency.

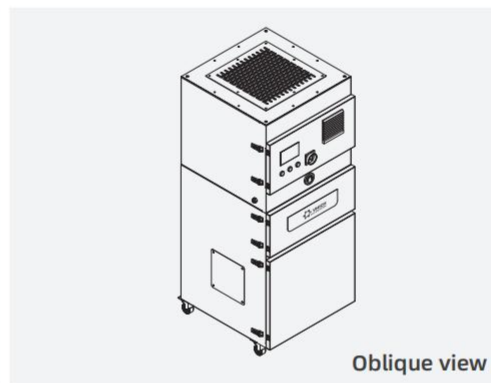
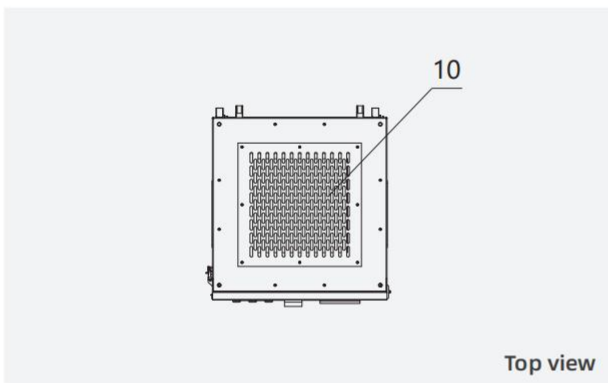
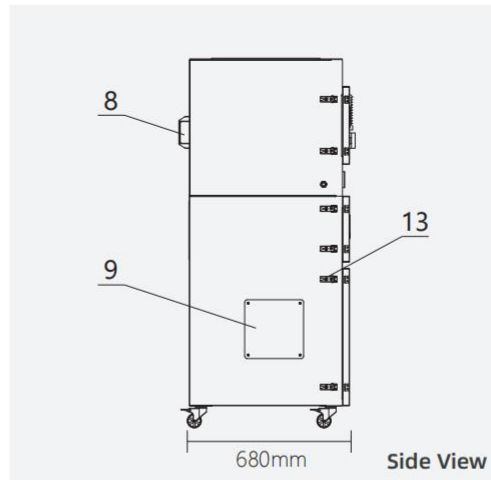
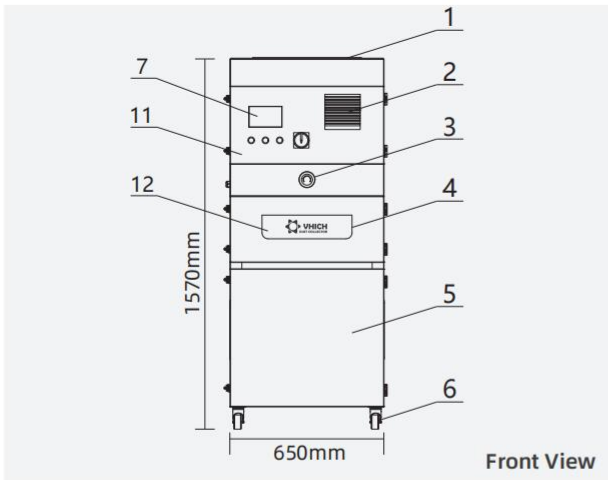
Double side air inlet design
According to the customer's site can be connected to both sides of the equipment on both sides of the required dust removal pipe or suction arm device.

360° Universal Wheels
Equipped with low-noise universal casters, which can be moved freely on the complex ground, making the equipment more convenient to move.

Nano/PTFE Coated Filter Technology

SCT3-LA series filters are designed with Nano/PTFE coated membrane filtration technology, which has a fine fiber layer diameter of 0.2 - 0.3 microns, capturing sub-micron pollutant-generated soot on the surface of the media, allowing dust to clump and coagulate, and making it easy to clean. Activation of the automatic cleaning function ensures less buildup on the surface of the cartridge, lower pressure drop, and clean air is discharged after filtration. The filter cartridges selected for the SCT3-LA series have 25% more filtration area than similarly sized cartridges. Durable and easy to maintain.





- 1、 Air outlet
- 2、 Dustproof net
- 3、 Pressure difference meter
- 4、 Pulse cleaning chamber
- 5、 Filter chamber
- 6、 Direction casters
- 7、 PLC touch screen
- 8、 Hand push handle
- 9、 Side air inlet
- 10、 Silencing filter
- 11、 Electric box
- 12、 LOGO
- 13、 Door buckle
- 14、 Pulse cleaning chamber

Selection Parameter Table

Model	/	<input type="checkbox"/> SCT3-LA220
Power	KW	2.2
Power supply voltage	V/Hz	380/50
Air volume	m ³ /h	2200-3000
Suction arm configuration	Optional	Suction arm/metal tube/PU hose
Fan Brand	/	VHICH
Control system	/	PLC+touch screen
Filtration method	/	PTFE polyester coating/nano
Filter element material	/	Japan/USA/South Korea
Filter cartridge specifications	mm	200*400*4PCS
filter area	m ²	20
Filter efficiency	%	99.9%
Cleaning way	/	Automatic cleaning
Ash collecting hopper volume	/	10L
filter level	/	GB12218-89-IV
Noise	dB	65±5
Weight	Kg	126
Overall dimensions	mm	650*680*1570

Product pictures and external dimensions are for reference only and shall prevail in kind.



Application Areas

SCT3-LA series industrial cartridge dust collector can be widely used in a variety of welding, laser marking, electronic soldering, chemical experiments and other places to generate fumes and dust purification, has a high purification efficiency, low noise, flexible use, small footprint and other characteristics, play a role in protecting the working environment and protecting the health of workers. It can be used in industry, steel, electric power, building materials, new energy, photovoltaic, chemical industry, food, electronics and other industries.



ELECTRIC WELDING



LASER LABELING



ELECTRONIC SOLDERING



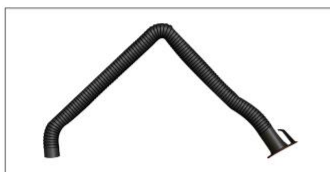
CHEMISTRY LAB

Live Cases

Shanghai VHICH Environmental Protection Technology Co., Ltd. is equipped with high-quality engineering and technical service engineers, specializing in after-sales service. Convenient and timely to provide users with quality and satisfactory service is the commitment of Shanghai VHICH Environmental Protection Company.



Optional Accessories



Flexible Suction Arms



Rigid Suction Arm



Spiral Ducting



Suction Hose And Nozzle



Large Flared Hood



Small Flared Hood



Filter Cartridge